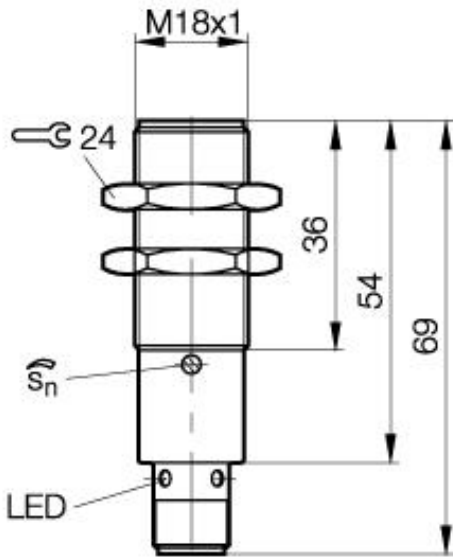


Photoelectric Sensor
BOS 18M-PA-1PF-E5-C-S 4
Sn=1000mm
Diffuse



PX0629a

Common Data

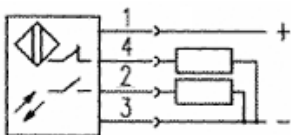
Series	18M
Sensortype	Diffuse
Switching frequency	100 Hz
Rated operating distance Sn in mm	1000
asured operating distance Sa	adjustable
Repeat accuracy	5% from Sn
Hysteresis	0,25mm
Indication Supply Voltage	no
Indication Switching element on	yes
Indication Special funktion	no
Ambient temperature	-5...+55°C
On-delay	= 5ms
Off-delay	< 5ms
Sensitivity Adjustment	Poti
Permissable ambient light	5000 Lux
Output function	light-on or dark-on

Mechanical Data

Measurements	M18x69
Vibration	55Hz, 1mm Amplitude 3x30m
Housing material	nickel plated brass
Material of sensing face	PMMA
Degree of protection	IP67
Connection	Connector S4 (M12)
Weigth	40g

Electrical Data

Current	DC
Switching function	NO/NC
Output	PNP
Rated operational voltage Ue	24V DC
Rated operational current Ie	200mA
Supply Voltage	10...30V DC
Ripple	< 10% from UB
Frequency of Supply Voltage	DC
Short protection	yes
Protected against polarity reversal	yes
Rated insulation voltage	75V DC
max. Load capacity	=0,3µF



Utilization categories
 Insulation class

DC 13

Datasheet number:

Definitions see general catalog.
 If not otherwise noted, ratings according to
 IEC 60947-5-2 (DIN EN60947-5-2)

Balluff GmbH
 Schurwaldstrasse 9
 73765 Neuhausen a.d.F.
 Phone (07158) 173-0 Fax (07158) 5010

Datenblatt by CD-ROM - 04/2007

